

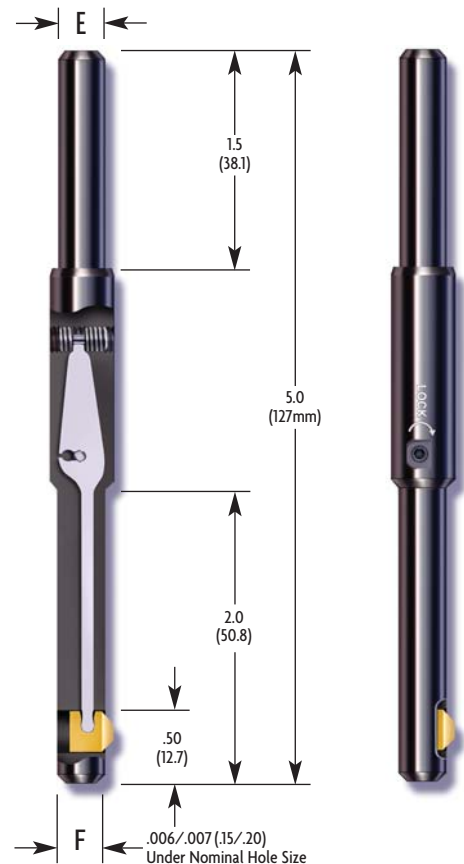
E-Z Burr Tool Specifications – Carbide Series

E-Z Burr Series C6A-C6C

For holes .250" through .334" (6.35mm to 8.50mm).

Tool #	Hole diameter (F)		Shank diameter (E)		Insert Series	
	Inches	mm	Inches	mm		
CRB 0250	1/4	0.2500	6.35	.312	7.92	C6A
CRB 0255		0.2559	6.50	.314	8.00	C6A
CRB 0265	17/64	0.2656	6.74	.312	7.92	C6A
CRB 0275		0.2755	7.00	.314	8.00	C6A
CRB 0281	9/32	0.2812	7.14	.312	7.92	C6B
CRB 0287		0.2874	7.30	.314	8.00	C6B
CRB 0295		0.2953	7.50	.314	8.00	C6B
CRB 0296	19/64	0.2968	7.54	.312	7.92	C6B
CRB 0305		0.3051	7.75	.314	8.00	C6B
CRB 0312	5/16	0.3125	7.93	.312	7.92	C6C
CRB 0314		0.3149	8.00	.314	8.00	C6C
CRB 0328	21/64	0.3281	8.33	.312	7.92	C6C
CRB 0334		0.3346	8.50	.314	8.00	C6C

Note: Series C6A, C6B & C6C tools have a working range of -.0004+.015 inches and -.10+.40mm.

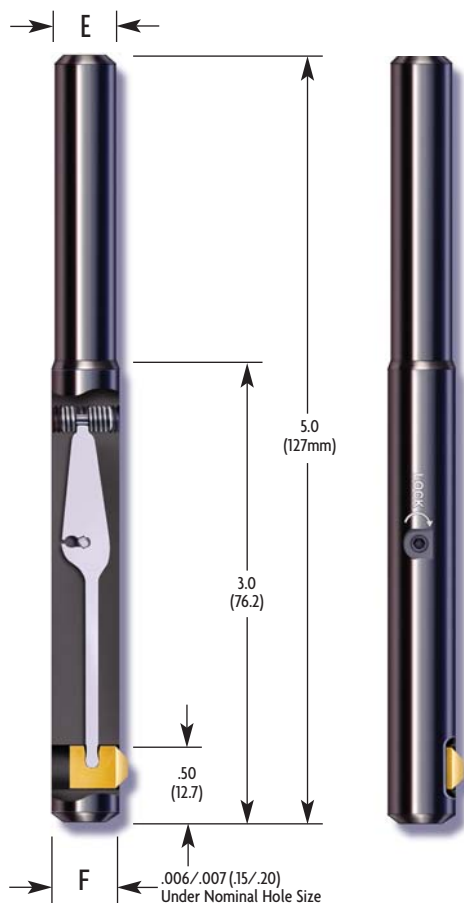


E-Z Burr Series C7A-C7B

For holes .343 through .500" (8.73mm to 12.70mm).

Tool #	Hole diameter (F)		Shank diameter (E)		Insert Series	
	Inches	mm	Inches	mm		
CRB 0343	11/32	0.3437	8.73	.312	7.92	C7A
CRB 0354		0.3543	9.00	.314	8.00	C7A
CRB 0359	23/64	0.3593	9.12	.312	7.92	C7A
CRB 0366		0.3661	9.30	.314	8.00	C7A
CRB 0374		0.3740	9.50	.314	8.00	C7A
CRB 0375	3/8	0.3750	9.52	.312	7.92	C7A
CRB 0381		0.3818	9.70	.314	8.00	C7A
CRB 0390	25/64	0.3906	9.92	.312	7.92	C7A
CRB 0393		0.3937	10.00	.314	8.00	C7A
CRB 0406	13/32	0.4062	10.31	.312	7.92	C7A
CRB 0413		0.4133	10.50	.393	10.00	C7B
CRB 0421	27/64	0.4218	10.71	.375	9.52	C7B
CRB 0433		0.4330	11.00	.393	10.00	C7B
CRB 0437	7/16	0.4375	11.11	.375	9.52	C7B
CRB 0444		0.4448	11.30	.393	10.00	C7B
CRB 0453	29/64	0.4531	11.50	.375	9.52	C7B
CRB 0460		0.4606	11.70	.393	10.00	C7B
CRB 0468	15/32	0.4687	11.90	.375	9.52	C7B
CRB 0472		0.4724	12.00	.393	10.00	C7B
CRB 0484	31/64	0.4843	12.30	.375	9.52	C7B
CRB 0492		0.4921	12.50	.393	10.00	C7B
CRB 0500	1/2	0.5000	12.70	.375	9.52	C7B

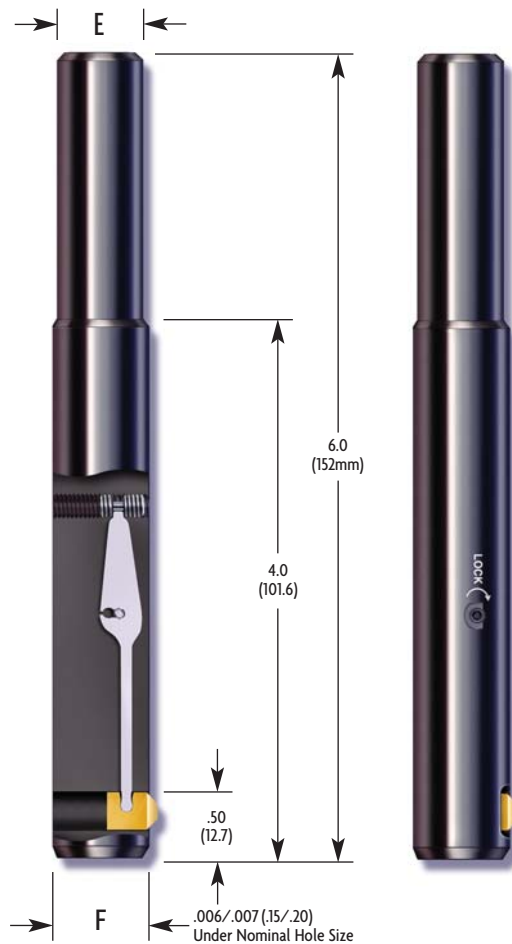
Note: Series C7A & C7B tools have a working range of -.0004+.015 inches and -.10+.40mm.



E-Z Burr Series C8A

For holes .511" through 1.00 (13.0mm to 25.40mm).

Tool #	Hole diameter (F)		Shank diameter (E)		Insert Series	
	Inches	mm	Inches	mm		
CRB 0511		0.5118	13.00	.472	12.00	C8A
CRB 0515	33/64	0.5156	13.09	.500	12.70	C8A
CRB 0531	17/32	0.5312	13.49	.500	12.70	C8A
CRB 0546	35/64	0.5468	13.89	.500	12.70	C8A
CRB 0551		0.5511	14.00	.472	12.00	C8A
CRB 0562	9/16	0.5625	14.28	.500	12.70	C8A
CRB 0570		0.5708	14.50	.472	12.00	C8A
CRB 0578	37/64	0.5781	14.68	.500	12.70	C8A
CRB 0590		0.5905	15.00	.472	12.00	C8A
CRB 0593	19/32	0.5937	15.08	.500	12.70	C8A
CRB 0600		0.6003	15.25	.472	12.00	C8A
CRB 0610	39/64	0.6093	15.47	.500	12.70	C8A
CRB 0625	5/8	0.6250	15.87	.500	12.70	C8A
CRB 0629		0.6299	16.00	.472	12.00	C8A
CRB 0640	41/64	0.6406	16.27	.500	12.70	C8A
CRB 0649		0.6496	16.50	.472	12.00	C8A
CRB 0656	21/32	0.6562	16.66	.500	12.70	C8A
CRB 0669		0.6692	17.00	.472	12.00	C8A
CRB 0671	43/64	0.6718	17.06	.500	12.70	C8A
CRB 0687	11/16	0.6875	17.46	.500	12.70	C8A
CRB 0703	45/64	0.7031	17.85	.625	15.87	C8A
CRB 0708		0.7086	18.00	.629	16.00	C8A
CRB 0718	23/32	0.7187	18.25	.625	15.87	C8A
CRB 0734	47/64	0.7343	18.65	.625	15.87	C8A
CRB 0748		0.7480	19.00	.629	16.00	C8A
CRB 0750	3/4	0.7500	19.05	.625	15.87	C8A
CRB 0763	49/64	0.7656	19.44	.625	15.87	C8A
CRB 0781	25/32	0.7812	19.84	.625	15.87	C8A
CRB 0787		0.7874	20.00	.629	16.00	C8A
CRB 0796	51/64	0.7968	20.24	.625	15.87	C8A
CRB 0812	13/16	0.8125	20.63	.625	15.87	C8A
CRB 0826		0.8267	21.00	.629	16.00	C8A
CRB 0843	27/32	0.8437	21.43	.625	15.87	C8A
CRB 0859	55/64	0.8593	21.82	.625	15.87	C8A
CRB 0866		0.8661	22.00	.629	16.00	C8A
CRB 0875	7/8	0.8750	22.22	.625	15.87	C8A
CRB 0890	57/64	0.8906	22.62	.625	15.87	C8A
CRB 0905		0.9055	23.00	.629	16.00	C8A
CRB 0906	29/32	0.9062	23.01	.625	15.87	C8A
CRB 0921	59/64	0.9218	23.41	.625	15.87	C8A
CRB 0937	15/16	0.9375	23.81	.625	15.87	C8A
CRB 0944		0.9448	24.00	.629	16.00	C8A
CRB 0953	61/64	0.9531	24.20	.625	15.87	C8A
CRB 0968	31/32	0.9687	24.06	.625	15.87	C8A
CRB 0984		0.9842	25.00	.629	16.00	C8A
CRB 1000	1.00	1.0000	25.40	.625	15.87	C8A



Note: Series C8A tools have a working range of -.004+.015 decimal and -.10+.40mm.